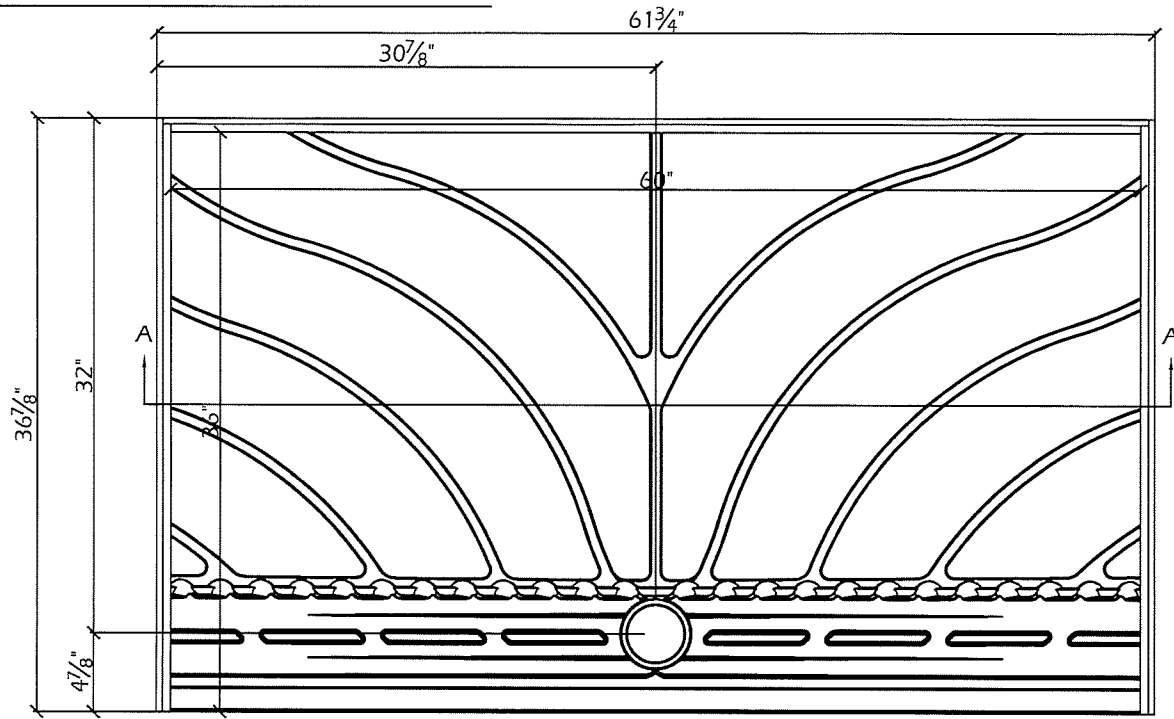
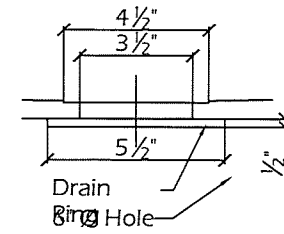


SHOWER BASE:



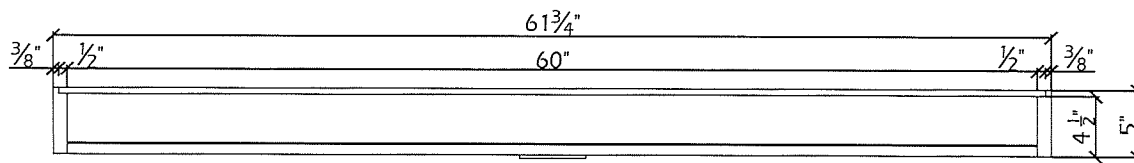
Plan View



Section at Drain



Section at Threshold



Section A-A

PART TOLERANCE = +/- 1/8" (0.25) U.N.O. CRITICAL TOLERANCE = +/- 1/32" (0.3125)	Vendura Solid Surface Solutions		VENDURA	
	PART NAME:		BY:	IR DATE:
	36X60 Front Dual Trench Drain-LC Shower Base Kit		SR	11-27-18
	REVISION:			
	(IR)			
SCALE:	NTS		PART NUMBER:	
			SBKXXX-36X60FDTD-Y	