



vendura

A BREAKTHRU COMPANY

Submittal Drawings for
SB-3660FCCD-XXX-Y
3660 Full Curb Center Drain
Shower Base



BILL OF MATERIALS:

Item	Qty	Description	Part Number	Color
1	-	36 x 60 Full Curb Center Drain Shower Base Classic	SB-3660FCCD-XXX-Y	XXX

Standard Colors

<input type="checkbox"/>	Cream-016	<input type="checkbox"/>	Frost-063
<input type="checkbox"/>	Light Khaki-023	<input type="checkbox"/>	Natural Khaki-071
<input type="checkbox"/>	Bone-030	<input type="checkbox"/>	Natural Bone-068
<input type="checkbox"/>	Pearl-037	<input type="checkbox"/>	Natural Pearl-070
<input type="checkbox"/>	Platinum Gray-044	<input type="checkbox"/>	Natural Platinum-067
<input type="checkbox"/>	Ivory White-051	<input type="checkbox"/>	Natural Ivory-072

Common Related Products

<input type="checkbox"/>	Wall Panels - Height=_____
<input type="checkbox"/>	Inside Corner Trim - QTY=_____
<input type="checkbox"/>	Outside Corner Trim - QTY=_____
<input type="checkbox"/>	1508RSSS - Recessed Soap/Shampoo Shelf - QTY=_____
<input type="checkbox"/>	1218RTSS - Recessed Toiletry Shelf - QTY=_____
<input type="checkbox"/>	1810WMCC - Wall Mount Corner Caddy - QTY=_____
<input type="checkbox"/>	0077WMCS - 7" Wall Mount Corner Shelf - QTY=_____
<input type="checkbox"/>	0099WMCS - 9" Wall Mount Corner Shelf - QTY=_____


Textures Available

<input type="checkbox"/>	NO TEXTURE (Sanded Smooth)	
<input type="checkbox"/>	SLATE TEXTURE (Not Sanded Textured)	

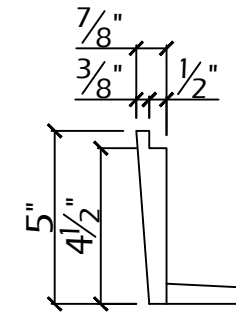
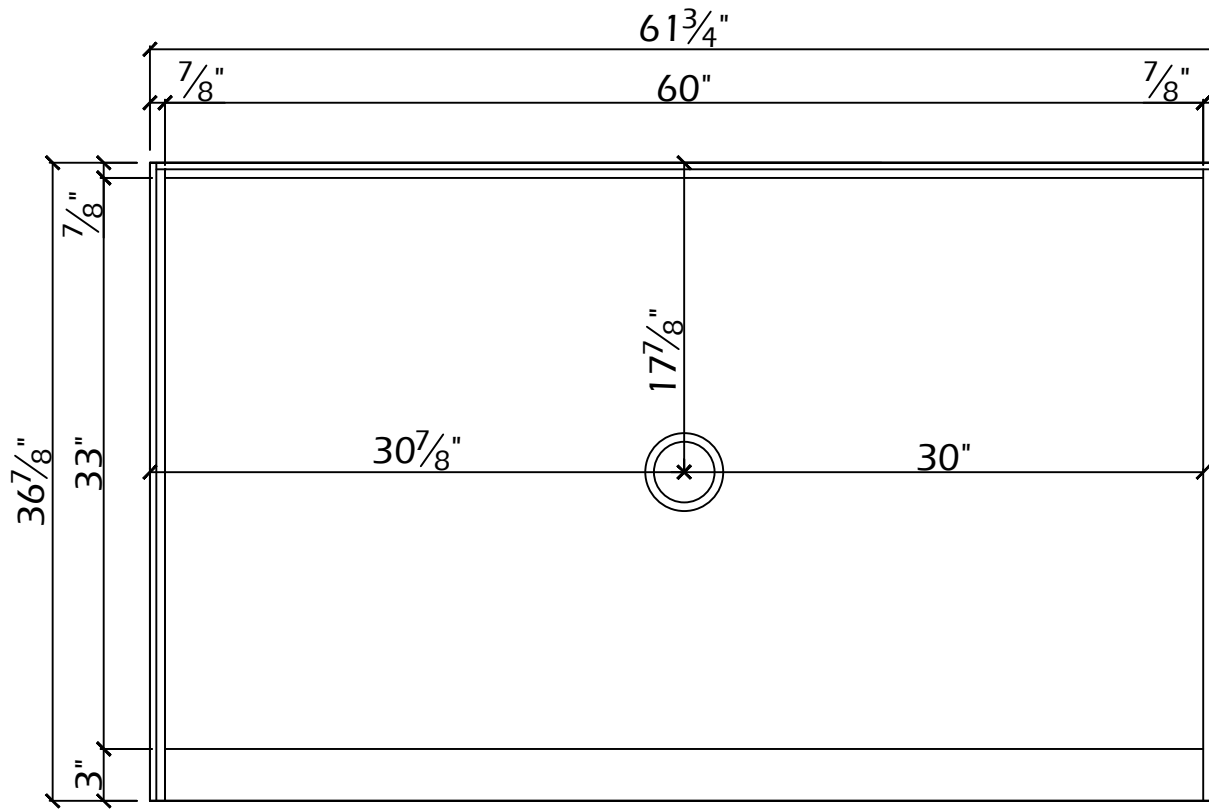
Installation Note:

To be installed per manufacturers
installation instructions
See website: www.vendura.com

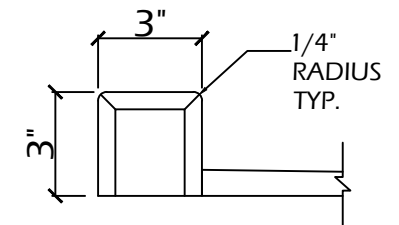
PART TOLERANCE = +/- 1/4" (0.25) UNO.
 CRITICAL TOLERANCE = +/- 1/32" (0.03125)
 Vendura is V-0 FIRE RATED PER UL 94/76A

 vendura A BREAKTHRU COMPANY		BY: SR	IR DATE: 03-27-24
CUSTOMER - PART NAME:		3660 FULL CURB CENTER DRAIN	
REVISION:	(IR)		
SCALE:	NTS	SALES ORDER - PART NUMBER: SB-3660FCCD-XXX-Y	

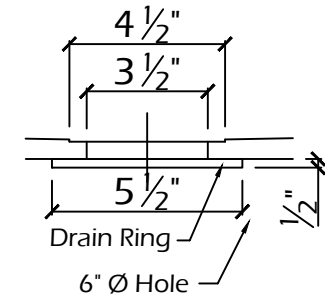
Shower Base:



Section at Dam Wall



Section at Threshold



Section at Drain

Shower Drain:

To be used with a standard commercial brass drain

Example = Proflow - PF140NC

Note:

BH drain not included
must be purchased separately
see www.vendura.com for options

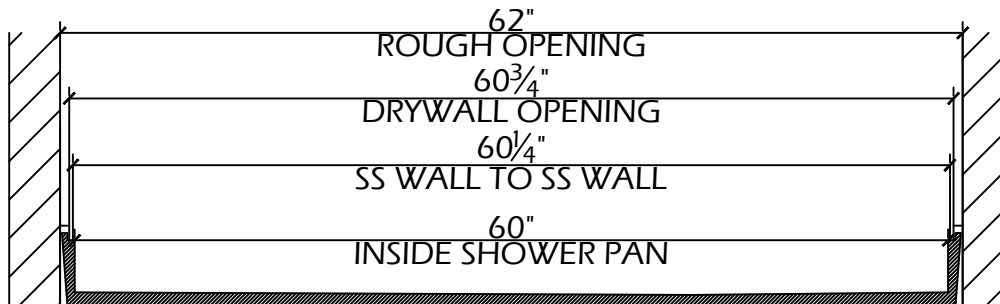
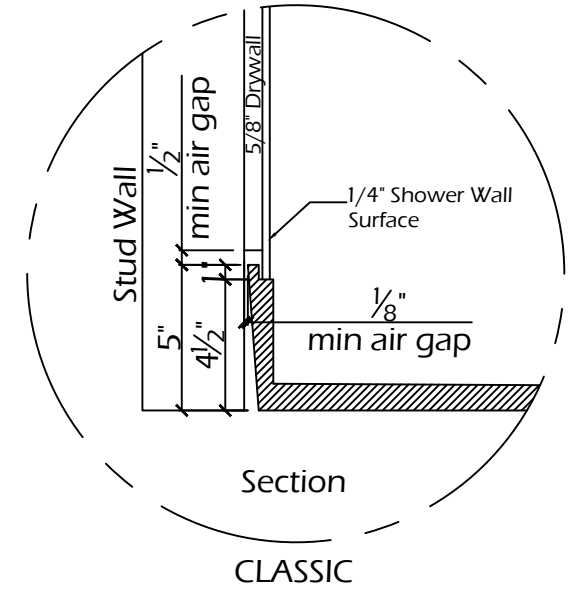
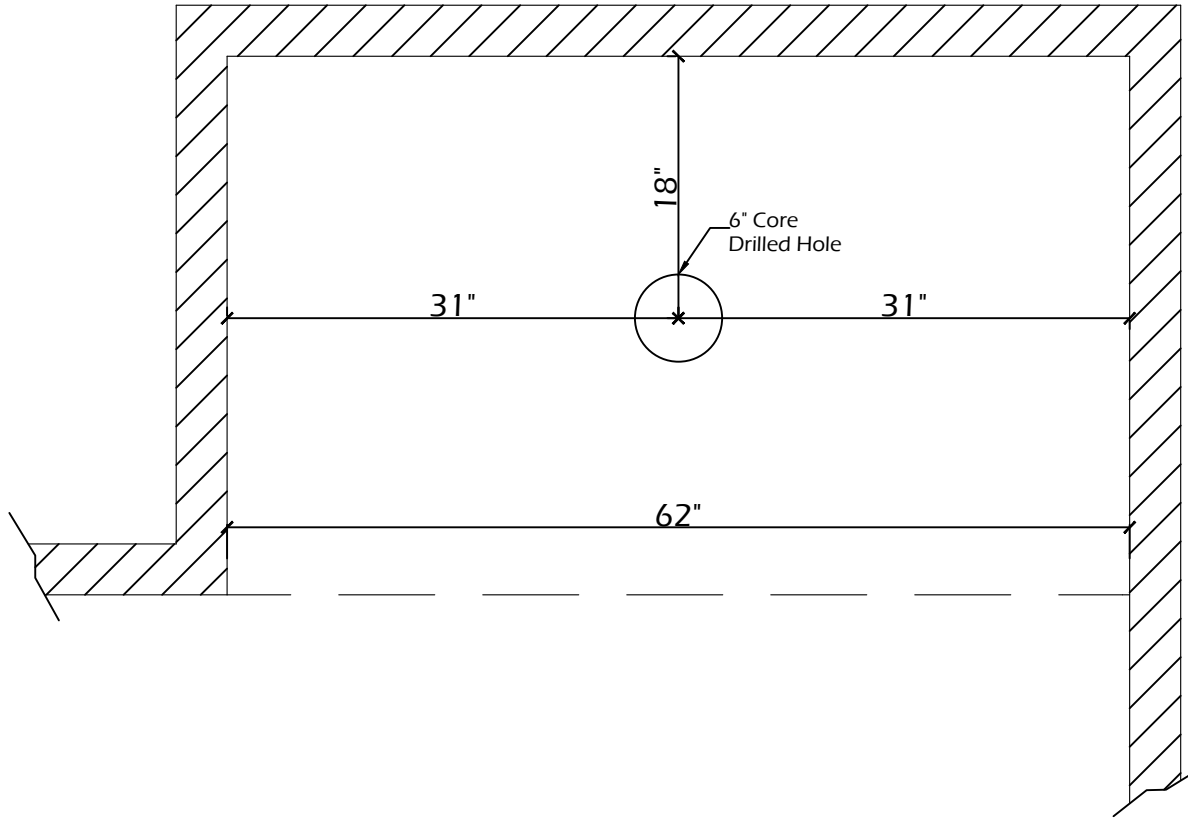
PART TOLERANCE = +/- 1/4" (0.25) UNCO.
CRITICAL TOLERANCE = +/- 1/32" (0.03125)
Vendura is V-0 FIRE RATED PER UL 94/76A




A BREAKTHRU COMPANY

CUSTOMER - PART NAME: 3660 FULL CURB CENTER DRAIN		BY: SR	IR DATE: 03-27-24
REVISION:			
(IR)			
SCALE: NTS	SALES ORDER - PART NUMBER: SB-3660FCCD-XXX-Y		

Rough Opening:



PART TOLERANCE = +/- 1/4" (0.25) UNO.
 CRITICAL TOLERANCE = +/- 1/32" (0.03125)
 Vendura is V-0 FIRE RATED PER UL 94/76A

 A BREAKTHRU COMPANY		CUSTOMER - PART NAME:	BY:	IR DATE:
		3660 FULL CURB CENTER DRAIN	SR	03-27-24
REVISION:				
(IR)				
SCALE:	SALES ORDER - PART NUMBER:			
NTS	SB-3660FCCD-XXX-Y			