



vendura

A BREAKTHRU COMPANY

Submittal Drawings for

SB-3636RDTDLC-XXX-Y

**3636 REAR DUAL TRENCH DRAIN SHOWER
BASE LOW CURB**



-VENNIETHETURTLE-

BILL OF MATERIALS:

Item	Qty	Description	Part Number	Color
1	-	36 x 36 Rear Dual Trench Drain Shower Base Low Curb Classic	SB-3636RDTDLC-XXX-Y	XXX

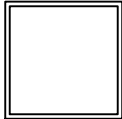
Standard Colors

<input type="checkbox"/>	Cream-016	<input type="checkbox"/>	Frost-063
<input type="checkbox"/>	Light Khaki-023	<input type="checkbox"/>	Natural Khaki-071
<input type="checkbox"/>	Bone-030	<input type="checkbox"/>	Natural Bone-068
<input type="checkbox"/>	Pearl-037	<input type="checkbox"/>	Natural Pearl-070
<input type="checkbox"/>	Platinum Gray-044	<input type="checkbox"/>	Natural Platinum-067
<input type="checkbox"/>	Ivory White-051	<input type="checkbox"/>	Natural Ivory-072

Common Related Products

<input type="checkbox"/>	Wall Panels - Height= _____
<input type="checkbox"/>	Inside Corner Trim - QTY= _____
<input type="checkbox"/>	Outside Corner Trim - QTY= _____
<input type="checkbox"/>	1508RSSS - Recessed Soap/Shampoo Shelf - QTY= _____
<input type="checkbox"/>	1218RTSS - Recessed Toiletry Shelf - QTY= _____
<input type="checkbox"/>	1810WMCC - Wall Mount Corner Caddy - QTY= _____
<input type="checkbox"/>	0077WMCS - 7" Wall Mount Corner Shelf - QTY= _____
<input type="checkbox"/>	0099WMCS - 9" Wall Mount Corner Shelf - QTY= _____


Textures Available

<input type="checkbox"/>	NO TEXTURE (Sanded Smooth)	
<input type="checkbox"/>	SLATE TEXTURE (Not Sanded Textured)	

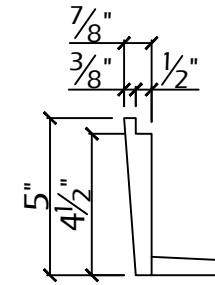
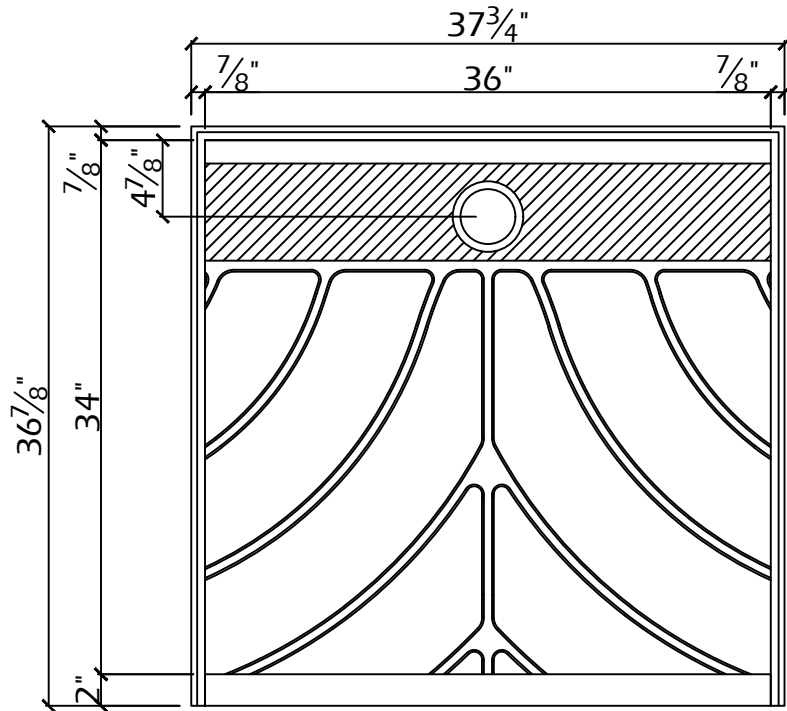
Installation Note:

To be installed per manufacturers installation instructions
See website: www.vendura.com

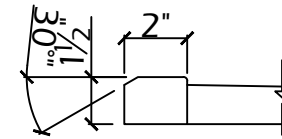
PART TOLERANCE = +/- 1/4" (0.25) UNCO.
CRITICAL TOLERANCE = +/- 1/32" (0.3125)
Vendura is V-0 FIRE RATED PER UL 94/76A

		vendura		A BREAKTHRU COMPANY	
CUSTOMER - PART NAME:			BY:	IR DATE:	
3636 Rear DualTrench Drain Low Curb			SR	05-24-23	
REVISION:					
(IR)					
SCALE:			SALES ORDER - PART NUMBER:		
NTS			SB-3636RDTDLC-XXX-Y		

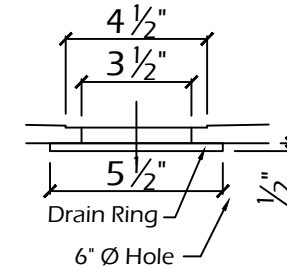
Shower Base:



Section at Dam Wall




Section at Threshold



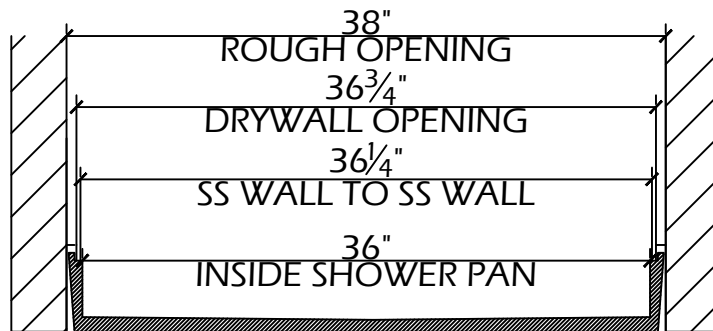
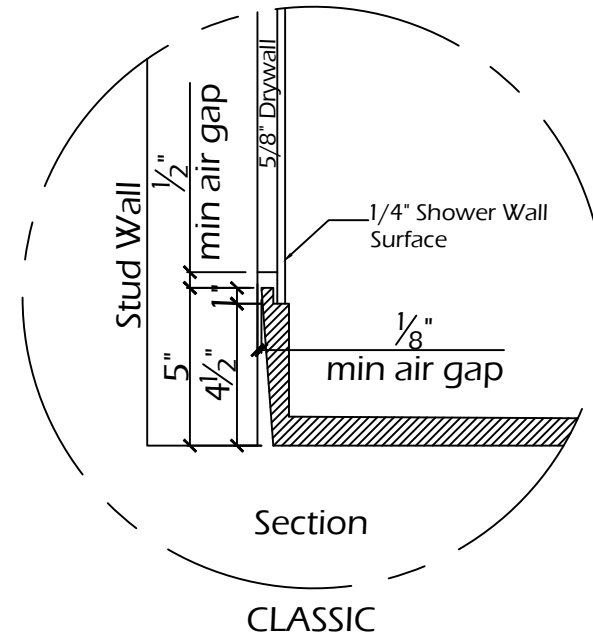
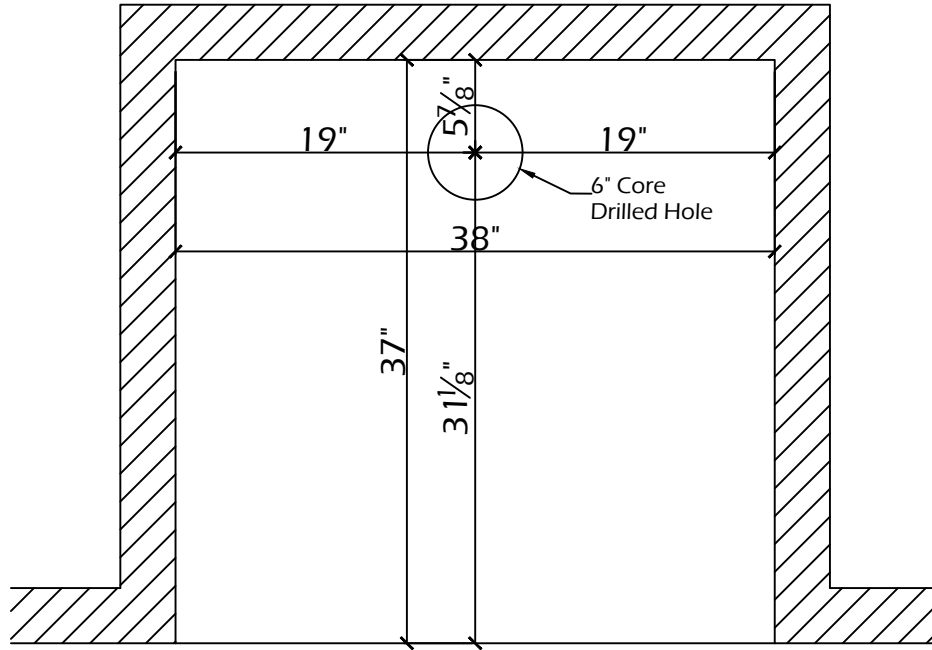
Section at Drain

Note:
 All Vendura Trench Drain Shower bases utilize tamper resistant screws and are therefore Behavioral Health Compliant


Shower Drain:
 To be used with a standard commercial brass drain
 Example = Proflow - PF140NC

PART TOLERANCE = +/- 1/4" (0.25) UNO. CRITICAL TOLERANCE = +/- 1/32" (0.3125) Vendura is V-0 FIRE RATED PER UL 94/76A	 A BREAKTHRU COMPANY		
	CUSTOMER - PART NAME: 3636 Rear DualTrench Drain Low Curb		
	REVISION: (IR)	BY: SR	IR DATE: 05-24-23
	SCALE: NTS	SALES ORDER - PART NUMBER: SB-3636RDTDL-XXX-Y	

Rough Opening:



PART TOLERANCE = +/- 1/4" (0.25) UNO.
CRITICAL TOLERANCE = +/- 1/32" (0.3125)
Vendura is V-0 FIRE RATED PER UL 94/76A

 A BREAKTHRU COMPANY		BY: SR	IR DATE: 05-24-23
CUSTOMER - PART NAME:		3636 Rear DualTrench Drain Low Curb	
REVISION:			
(IR)			
SCALE: NTS		SALES ORDER - PART NUMBER: SB-3636RDTDL-XXX-Y	