

AC-1810WMCC

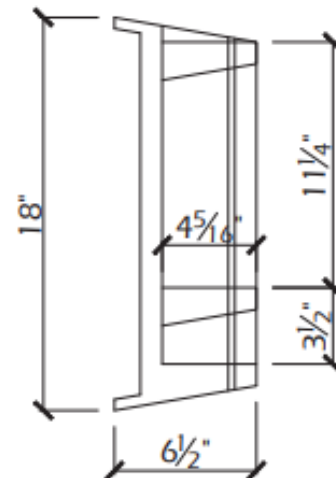
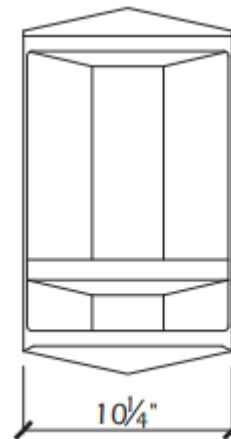
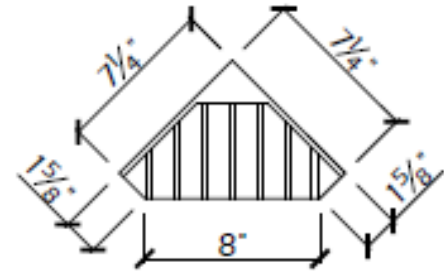
SURFACE MOUNT

ACCESSORY

CORNER CADDY



Solid Surface Solutions



DESCRIPTION:

Dimensions: 18" x 10 1/4"

Installation Method: Surface Mount

Meets or exceeds ANSI/ICPA SS-1-2001 Performance standards for Solid Surface materials

Vendura Solid Surface is naturally anti-microbial

Available in Vendura Solid, Natural and Granulated colors