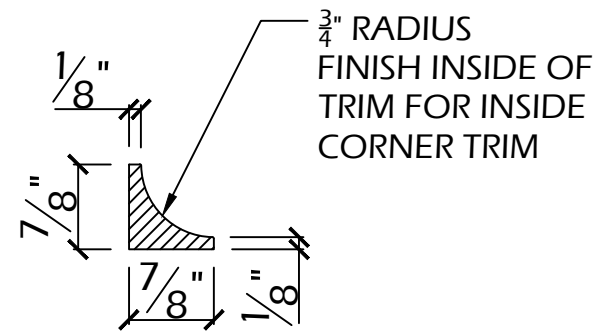
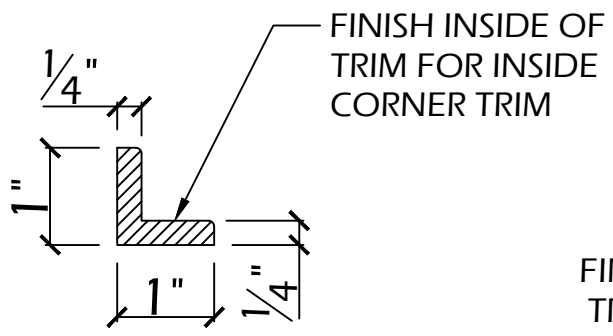


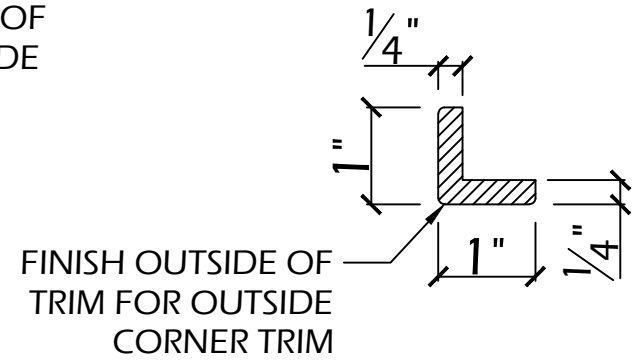
TRM-ICDIAG00-TBD-A
Diagonal Inside Corner Trim



TRM-ICRADI00-TBD-A
Radius Inside Corner Trim



TRM-ICSQR00-RBD-A
Square Inside Corner Trim



TRM-OCSQ00-TBD-A
Square Outside Corner Trim

- NOTES:**
- Standard Length 84" or 96"
 - Custom Length up to 144"
 - Color TBD (VCM000)

PART TOLERANCE = +/- 1/4" (0.25) UNCO. CRITICAL TOLERANCE = +/- 1/32" (0.3125)	Vendura Solid Surface Solutions	
	CUSTOMER - PART NAME: INSIDE / OUTSIDE CORNER TRIM	BY: SR IR DATE: 10-11-21
	REVISION: (IR)	SALES ORDER - PART NUMBER:
	SCALE: NTS	CORNER TRIM ACCESSORY