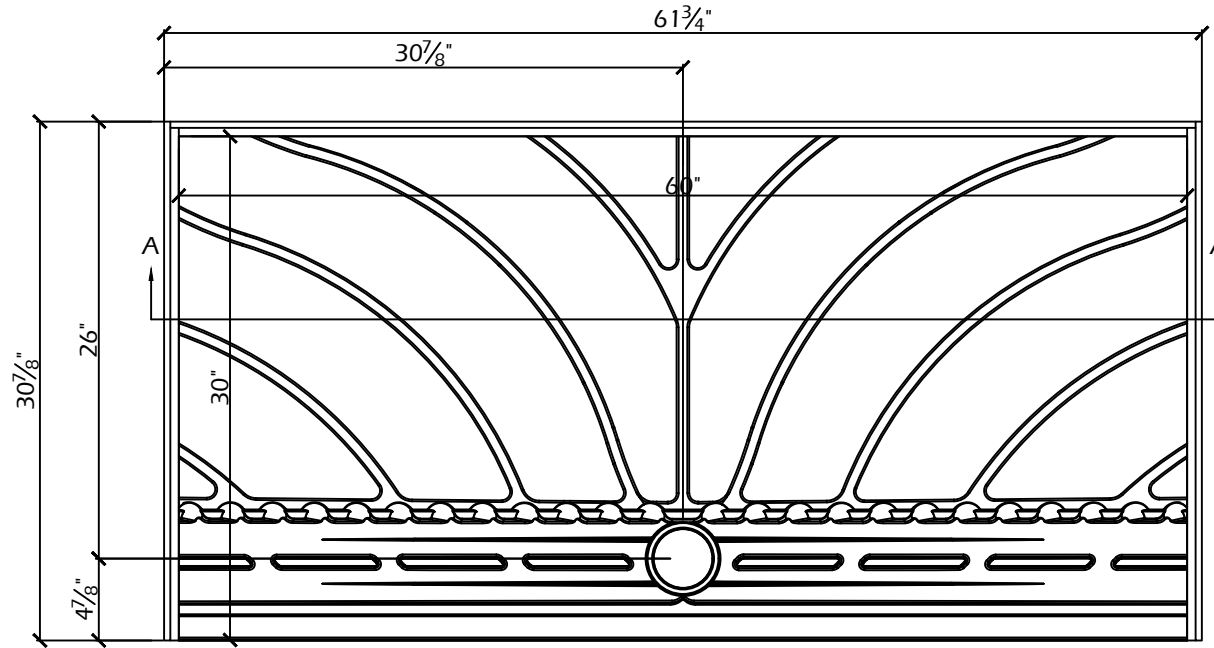
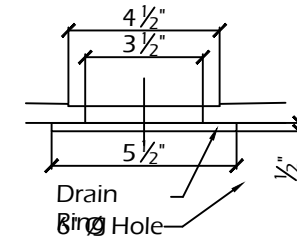


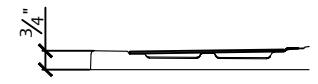
SHOWER BASE:



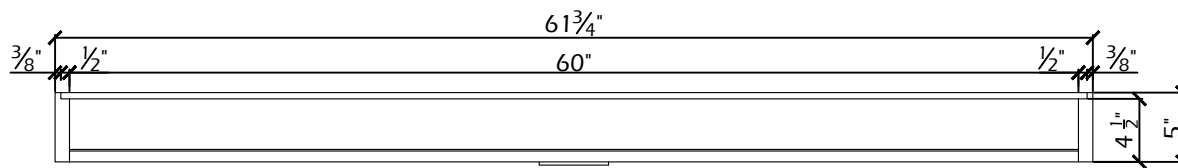
Plan View



Section at Drain



Section at Threshold



Section A-A

PART TOLERANCE = +/- 1/4" [0.25] UNCO. CRITICAL TOLERANCE = +/- 1/32" [0.3125]	Vendura Solid Surface Solutions		
	PART NAME: 30X60 Front Dual Trench Drain-LC Shower Base Kit	BY: SR	IR DATE: 11-02-18
	REVISION: (IR)		
	SCALE: NTS	PART NUMBER: SBKXXX-30X60FDTD-Y	