

Submittal Drawings for
SB-3636FCCD-XXX-A

Shower Base - Classic
36x36 Full Curb Center Drain

XXX = Color

A = Index Level

- Specific submittal drawings can be issued once
the part number has been finalized.


BILL OF MATERIALS:

Item	Qty	Description	Part Number	Color
1	-	36 x 36 Full Curb Center Drain Shower Base Classic	SB-3636FCCD-XXX-A	XXX

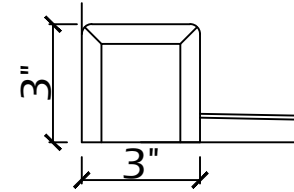
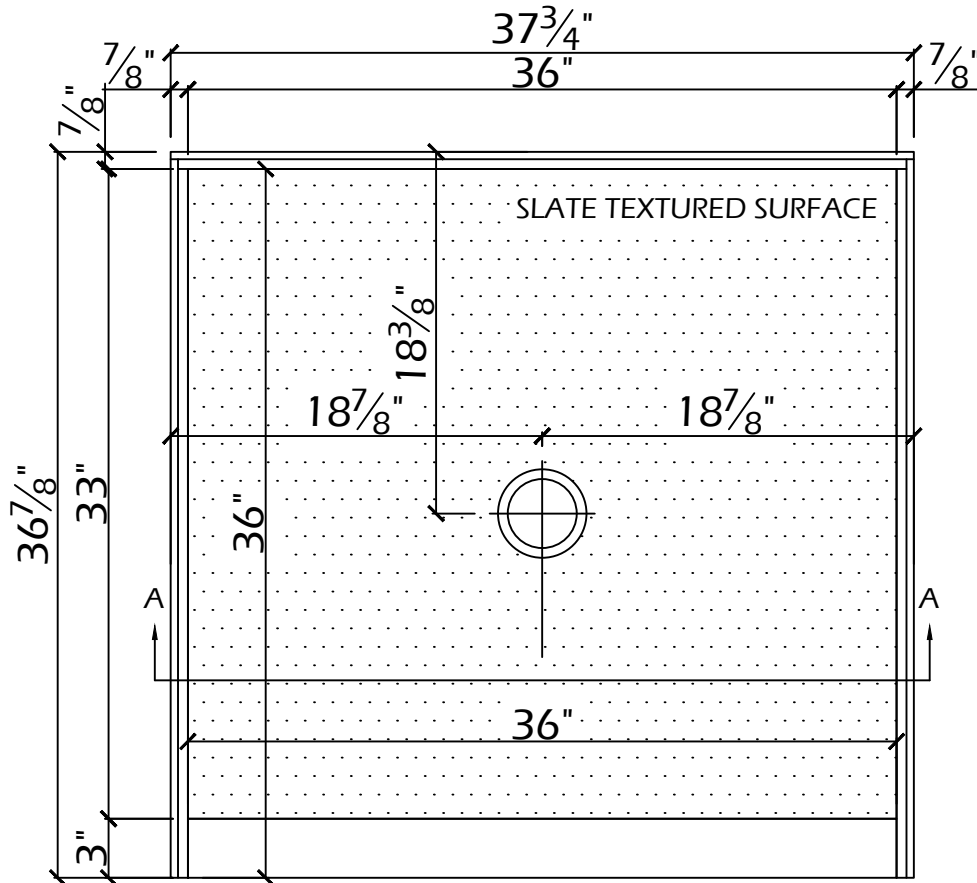
Available Group 1 Colors

016	Cream	063	Frost
023	Light Khaki	071	Natural Khaki
030	Bone	068	Natural Bone
037	Pearl	070	Natural Pearl
044	Platinum Gray	067	Natural Platinum
051	Ivory White	072	Natural Ivory

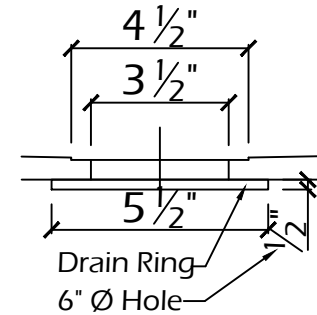
PART TOLERANCE = +/- 1/4" [0.25] UNCO.
CRITICAL TOLERANCE = +/- 1/32" [0.3125]

Vendura Solid Surface Solutions 	
CUSTOMER - PART NAME: Shower Base 3636 Full Curb Center Drain	
REVISION: (IR)	BY: SR IR DATE: 04-21-21
SCALE: NTS	SALES ORDER - PART NUMBER: SB-3636FCCD-XXX-A

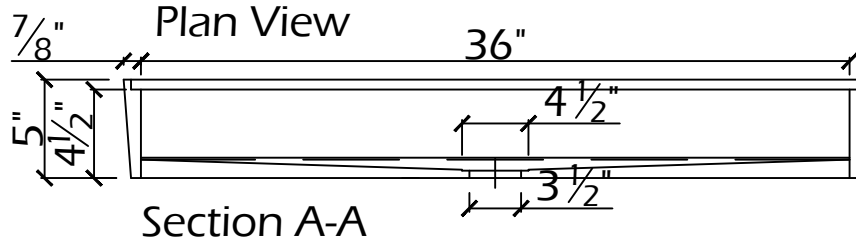
BASE:



Section at Threshold



Section at Drain



PART TOLERANCE = +/- 1/4" (0.25) UNCO.
CRITICAL TOLERANCE = +/- 1/32" (0.3125)

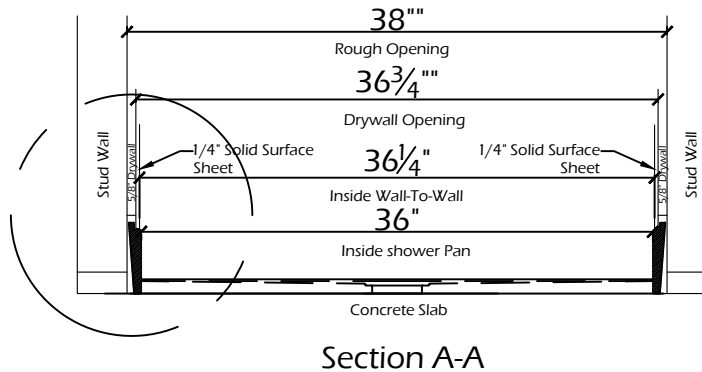
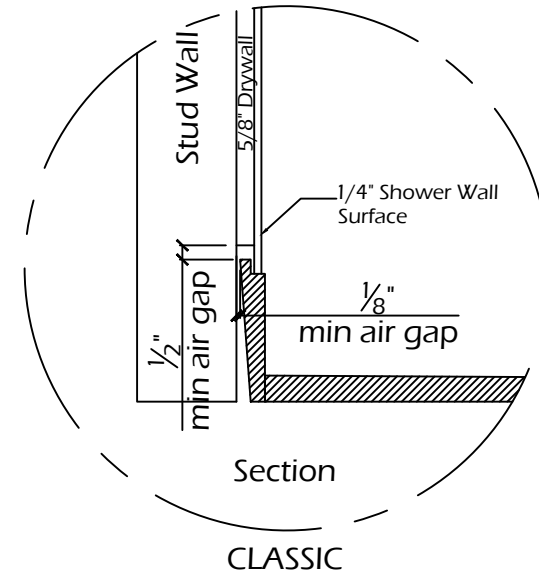
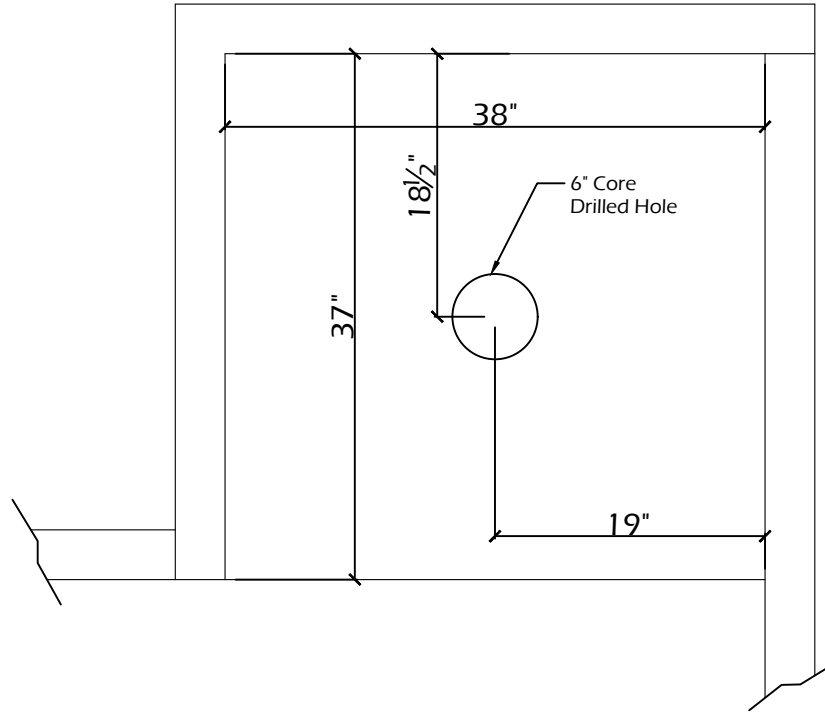
Vendura Solid Surface Solutions 

CUSTOMER - PART NAME: Shower Base 3636 Full Curb Center Drain		BY: SR	IR DATE: 04-21-21
REVISION:			
(IR)			

SCALE: NTS

SALES ORDER - PART NUMBER:
SB-3636FCCD-XXX-A

ROUGH OPENING:



PART TOLERANCE = +/- 1/4" [0.25] UNCO. CRITICAL TOLERANCE = +/- 1/32" [0.3125]	Vendura Solid Surface Solutions		
	CUSTOMER - PART NAME: Shower Base 3636 Full Curb Center Drain		
	REVISION: (IR)	BY: SR	IR DATE: 04-21-21
	SCALE: NTS	SALES ORDER - PART NUMBER: SB-3636FCCD-XXX-A	