

Submittal Drawings for
SBXXX-36X36FDTD-Y
**36"x36" Front Dual Trench Drain
Shower Base Kit**

XXX = Color

Y = Index Number


- Specific submittal drawings can be issued once
the part number has been finalized.

BILL OF MATERIALS:

Item	Qty	Description	Part Number	Color
1	1	36x36 Front Dual Trench Drain Shower Base	SBXXX-36X36FDTD-Y	TBD
2	1	36" Trench Drain Cover	500002	N/A
3	1	Screws		N/A

Available Group 1 Colors

016	Cream	069	Natural Cream
023	Light Khaki	071	Natural Khaki
030	Bone	068	Natural Bone
037	Pearl	070	Natural Pearl
044	Platinum Gray	067	Natural Platinum
051	Ivory White	072	Natural Ivory

PART TOLERANCE = +/- .1/4" [0.25] UNCO. CRITICAL TOLERANCE = +/- 1/32" [0.3125]	Vendura Solid Surface Solutions 		
	PART NAME: 36X36 Front Dual Trench Drain Shower Base	BY: SR	IR DATE: 10-17-18
	REVISION: (IR)		
	SCALE: NTS	PART NUMBER: SBXXX-36X36FDTD-Y	

Material Description:

Material Composition:

Vendura Solid Surface products manufactured by Vendura use an isothalic neopentyl glycol based polyester resin, modified with acrylic monomer for additional flexural strength. Alumina tri-hydrate filler with optimal particle size packing is used along with proprietary strengthening agents and colorant pigments. Some colors include colored granules made of similar resin, alumina tri-hydrate, and colorant pigments.

Material Performance:


Vendura Solid Surface products have been tested to meet or exceed ANSI SS-1-2001 solid surface standard. Vendura Solid Surface products have been tested and meet Class 1 fire rating. The ingredients have been specifically engineered to achieve optimal impact resistance and thermal shock resistance, as well as minimizing thermal expansion characteristics, to enhance long time use and durability.

Antimicrobial Enhancements: (Optional)

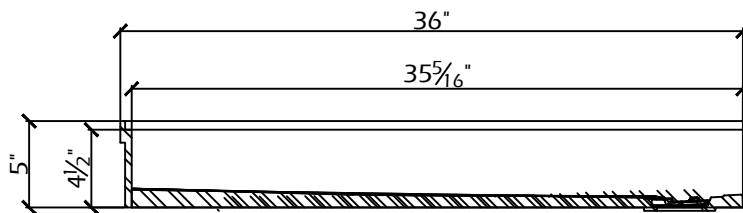
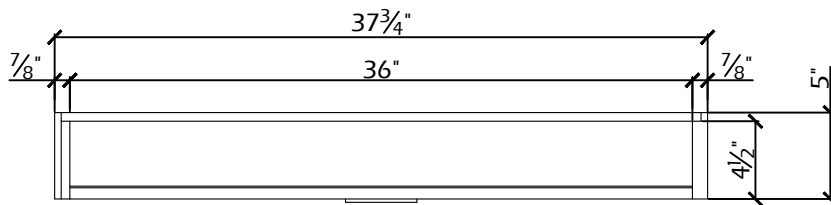
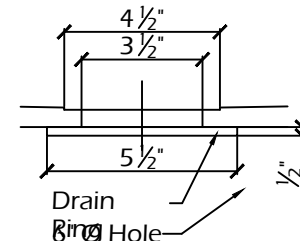
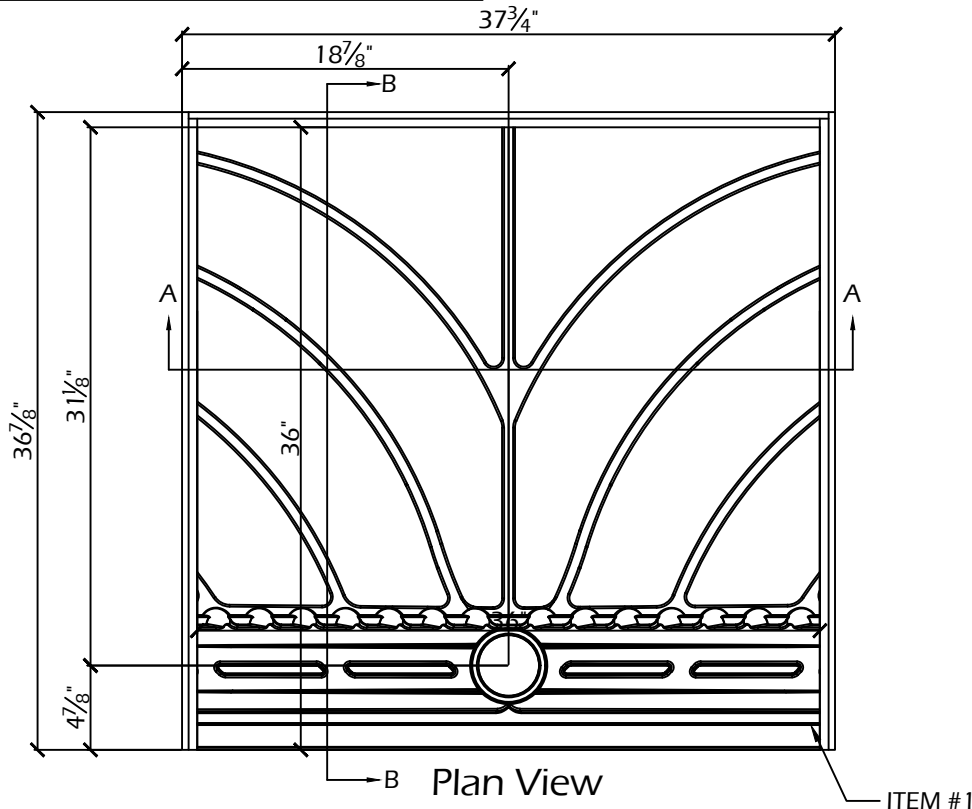
Vendura Solid Surface products are passively antimicrobial. The surface is non-porous with no cracks or crevices to harbor bacteria. If active antimicrobial characteristics are desired, products must be ordered with SurfaceGuard active antimicrobial additive from the factory. This is a silver based antimicrobial additive that is mixed directly into the resin prior to any other ingredients being mixed in. This results in the antimicrobial additive being distributed throughout the solid surface products. The antimicrobial effects are present on all surfaces and are not diminished by sanding or fabrication of the part. The antimicrobial effects require no special care to remain effective.

ADA Compliance:

The ADA compliant shower units manufactured by Vendura meet the ICC/ANSI A117.1-2003 American National Standard - Accessible and Usable Building and Facilities Code - Section 6: Plumbing Elements and Facilities code when installed properly. Special attention must be paid during installation to insure no ADA codes are compromised.

PART TOLERANCE = +/- 1/4" [0.25] UNCO. CRITICAL TOLERANCE = +/- 1/32" [0.3125]	Vendura Solid Surface Solutions 		
	PART NAME: 36X36 Front Dual Trench Drain Shower Base	BY: SR	IR DATE: 10-17-18
	REVISION: (IR)		
	SCALE: NTS	PART NUMBER: SBXXX-36X36FDTD-Y	

SHOWER BASE:



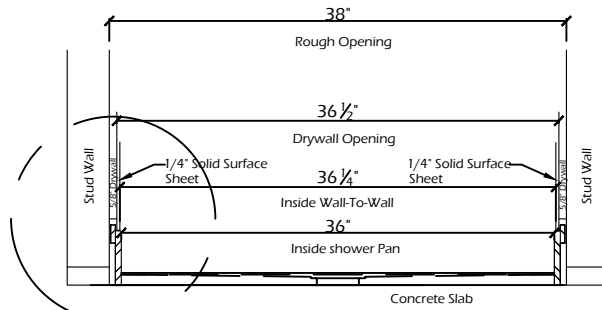
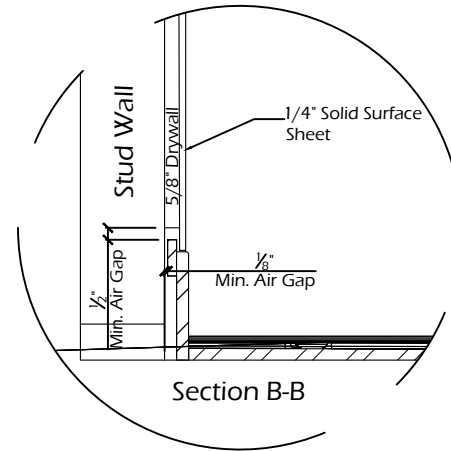
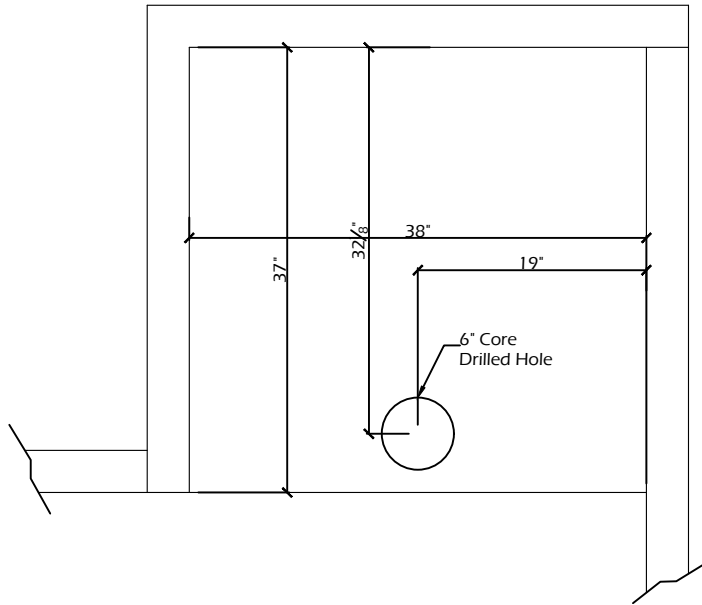
PART TOLERANCE = +/- .1/4" (0.25) UNCO. CRITICAL TOLERANCE = +/- 1/32" (0.3125)	Vendura Solid Surface Solutions		
	PART NAME: 36X36 Front Dual Trench Drain Shower Base	BY: SR	IR DATE: 10-17-18
	REVISION: (IR)		
	SCALE: NTS	PART NUMBER: SBXXX-36X36FDTD-Y	

A

B

C

ROUGH OPENING:



Section A-A

PART TOLERANCE = +/- 1/4" (0.25) UNCO.
CRITICAL TOLERANCE = +/- 1/32" (0.3125)

Vendura Solid Surface Solutions **VENDURA**

PART NAME: 36X36 Front Dual Trench Drain Shower Base BY: SR IR DATE: 10-17-18

REVISION:			
(IR)			

SCALE: NTS PART NUMBER: SBXXX-36X36FDTD-Y