

Submittal Drawings for
SM-3660FCCD-XXX-A
Shower Base Modern
3660 Full Curb Center Drain

XXX = Color

A = Index Number

- Specific submittal drawings can be issued once
the part number has been finalized.

BILL OF MATERIALS:

Item	Qty	Description	Part Number	Color
1	-	36x60 Full Curb Center Drain Shower Base Modern	SM-3660FCCD-XXX-A	XXX

Available Group 1 Colors

016	Cream	063	Frost
023	Light Khaki	071	Natural Khaki
030	Bone	068	Natural Bone
037	Pearl	070	Natural Pearl
044	Platinum Gray	067	Natural Platinum
051	Ivory White	072	Natural Ivory

PART TOLERANCE = +/- 1/4" [0.25] UNCO.
CRITICAL TOLERANCE = +/- 1/32" [0.3125]

Vendura Solid Surface Solutions 

CUSTOMER - PART NAME:
Shower Base Modern - 3660 FCCD

BY: SR
IR DATE: 08-18-21

REVISION:

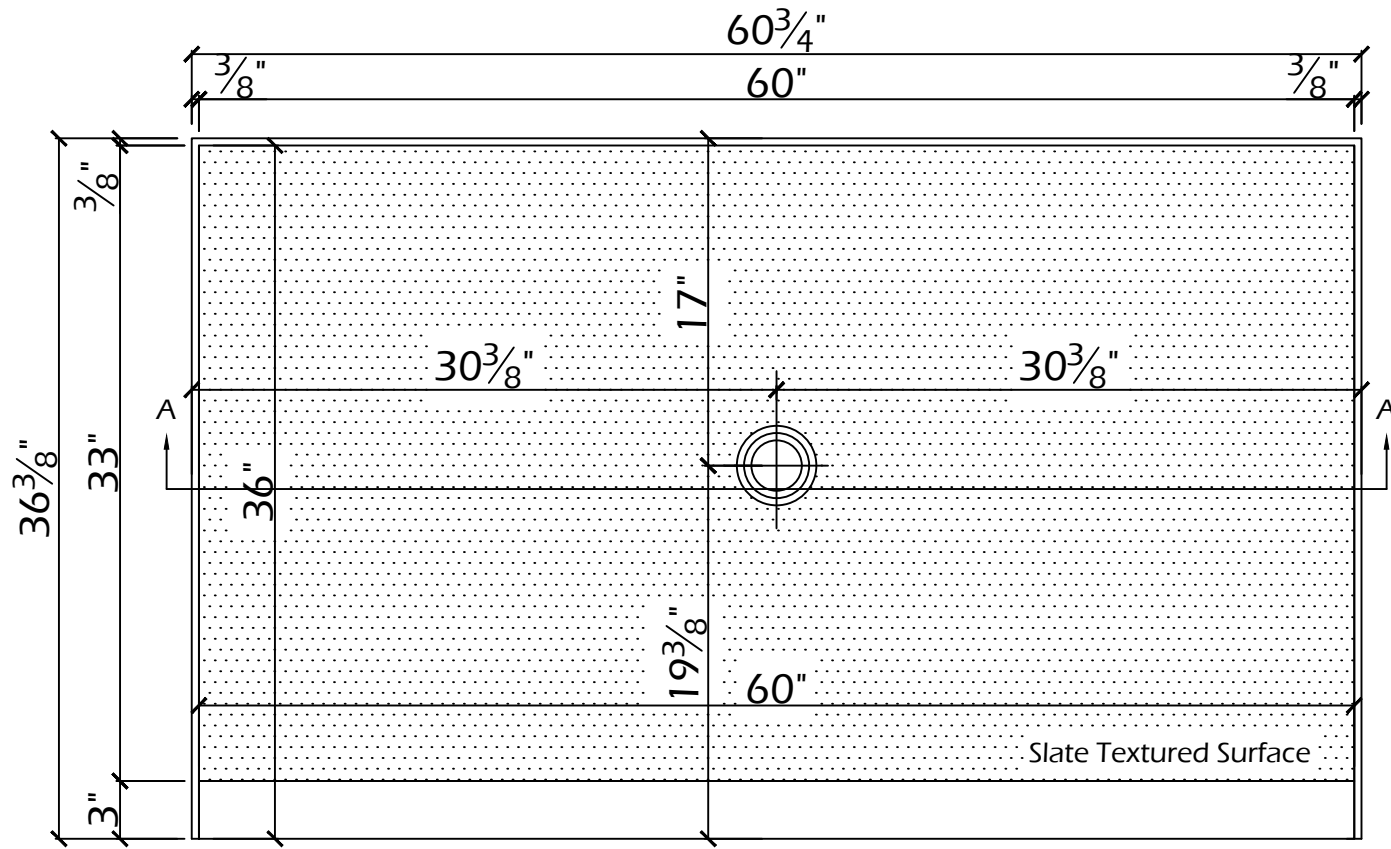
(IR)

SCALE:

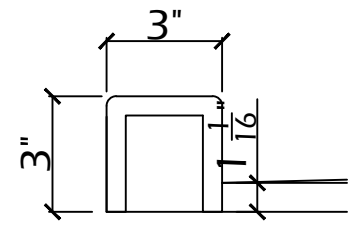
NTS

SALES ORDER - PART NUMBER:

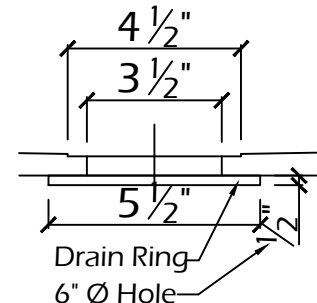
SM-3660FCCD-XXX-A



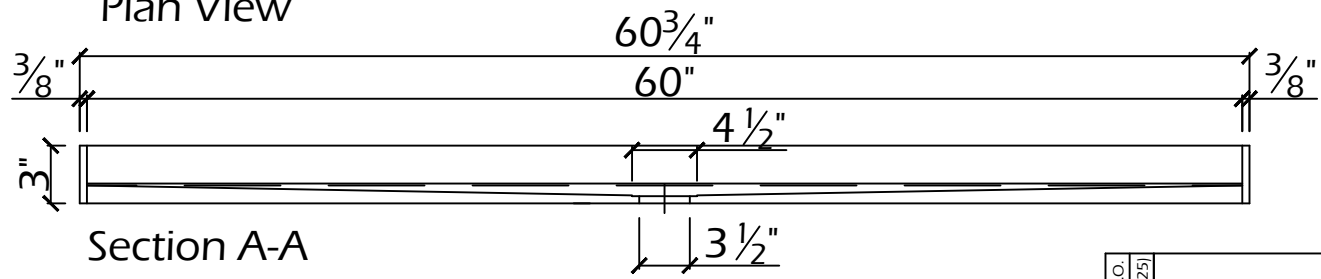
Plan View



Section at Threshold



Section at Drain



Section A-A

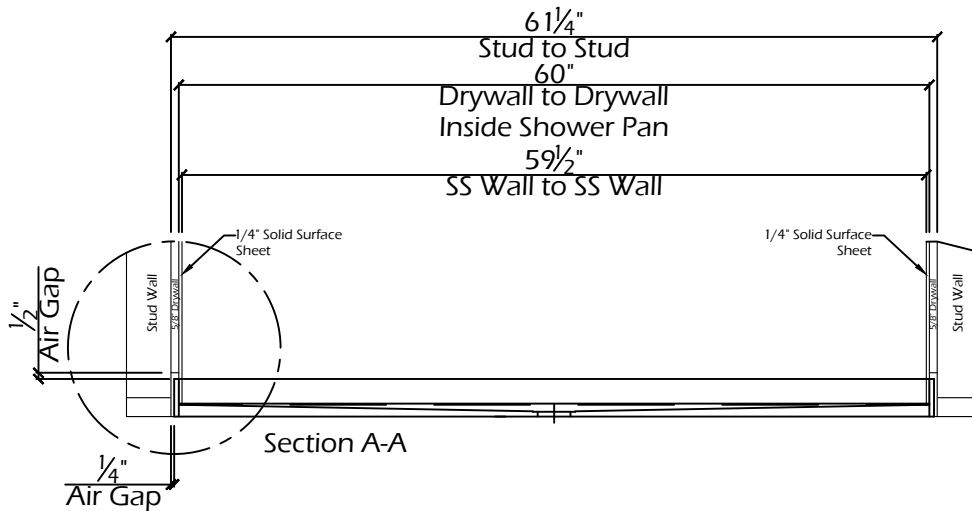
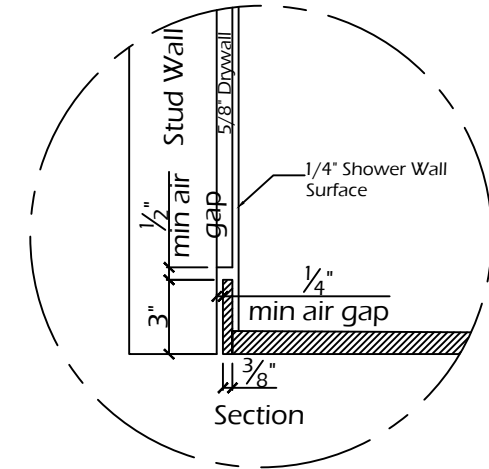
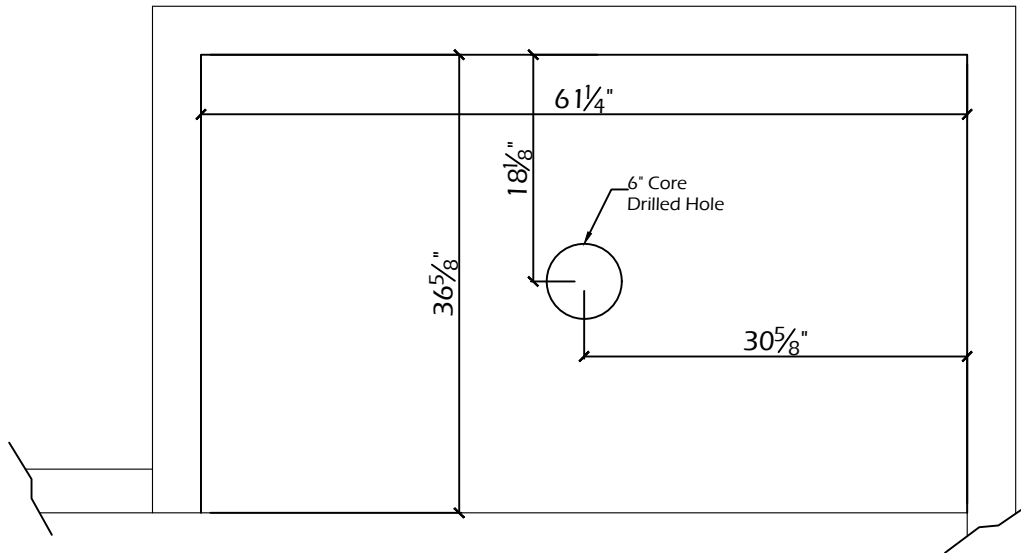
PART TOLERANCE = +/- 1/4" [0.25] UNCO.
CRITICAL TOLERANCE = +/- 1/32" [0.3125]

Vendura Solid Surface Solutions 

CUSTOMER - PART NAME: Shower Base Modern - 3660 FCCD		BY: SR	IR DATE: 08-18-21
REVISION:			
(IR)			

SCALE: NTS

SALES ORDER - PART NUMBER:
SM-3660FCCD-XXX-A



PART TOLERANCE = +/- 1/4" (0.25) UNCO. CRITICAL TOLERANCE = +/- 1/32" (0.3125)	Vendura Solid Surface Solutions	
	CUSTOMER - PART NAME: Shower Base Modern - 3660 FCCD	
	REVISION: (IR)	BY: SR IR DATE: 08-18-21
	SCALE: NTS	SALES ORDER - PART NUMBER: SM-3660FCCD-XXX-A