

Submittal Drawings for
SB-3636LC CD-XXX-A

Shower Base - Classic
36x36 Low Curb Center Drain


XXX = Color
A = Index Level
- Specific submittal drawings can be issued once
the part number has been finalized.

BILL OF MATERIALS:

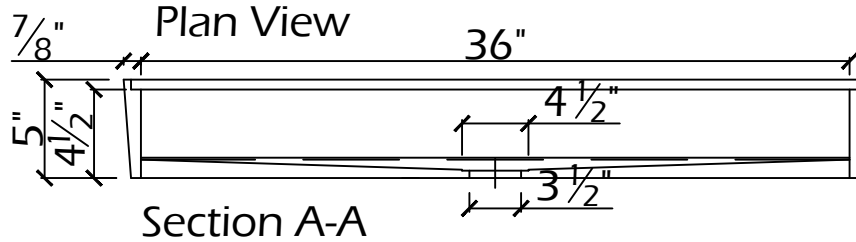
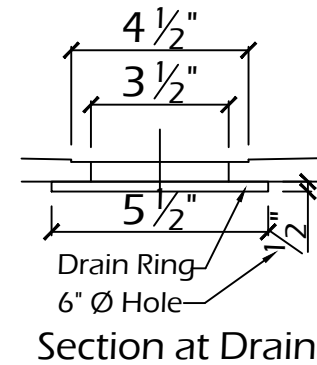
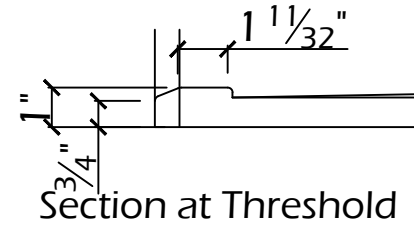
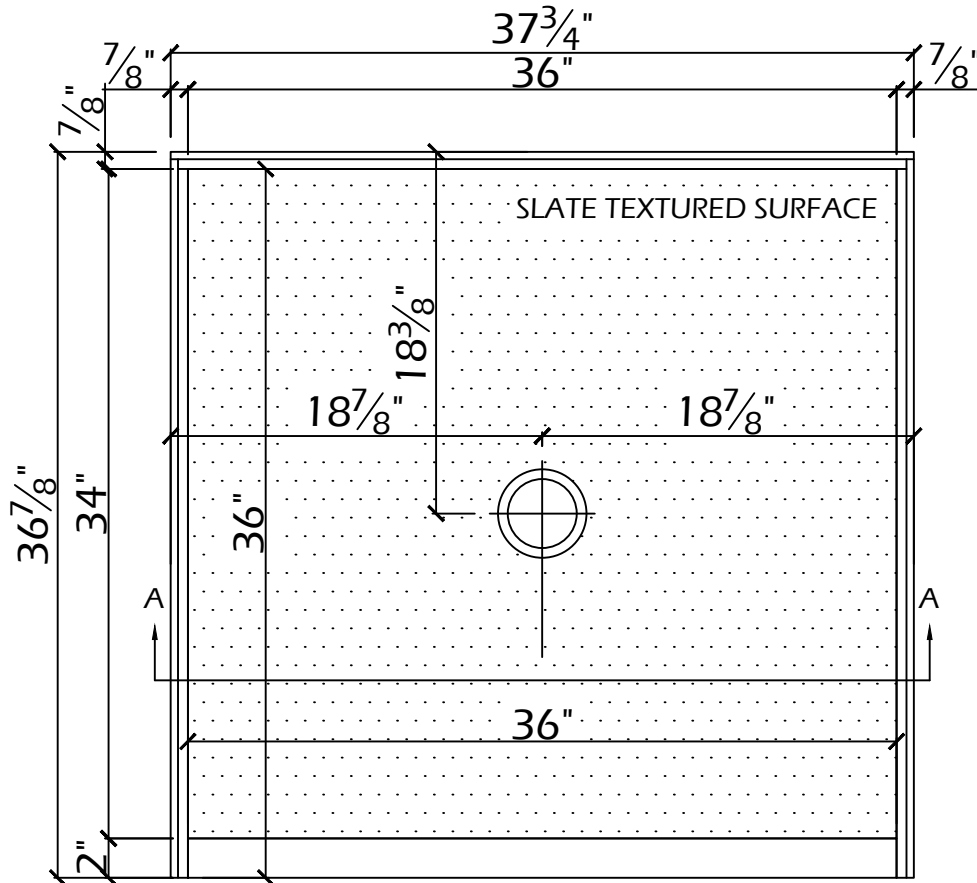
Item	Qty	Description	Part Number	Color
1	-	36 x 36 Low Curb Center Drain Shower Base Classic	SB-3636LCCD-XXX-A	XXX

Available Group 1 Colors


016	Cream	063	Frost
023	Light Khaki	071	Natural Khaki
030	Bone	068	Natural Bone
037	Pearl	070	Natural Pearl
044	Platinum Gray	067	Natural Platinum
051	Ivory White	072	Natural Ivory

PART TOLERANCE = +/- .1/4" [0.25] UNCO. CRITICAL TOLERANCE = +/- .1/32" [0.3125]	Vendura Solid Surface Solutions 		
	CUSTOMER - PART NAME: Shower Base 3636 Low Curb Center Drain		
	REVISION: (IR)	BY: SR	IR DATE: 04-21-21
	SCALE: NTS	SALES ORDER - PART NUMBER: SB-3636LCCD-XXX-A	

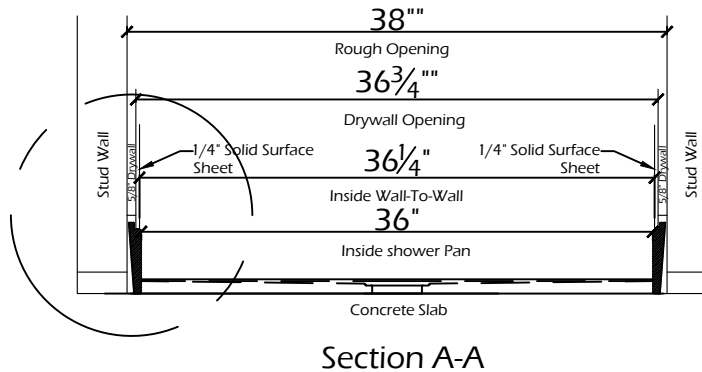
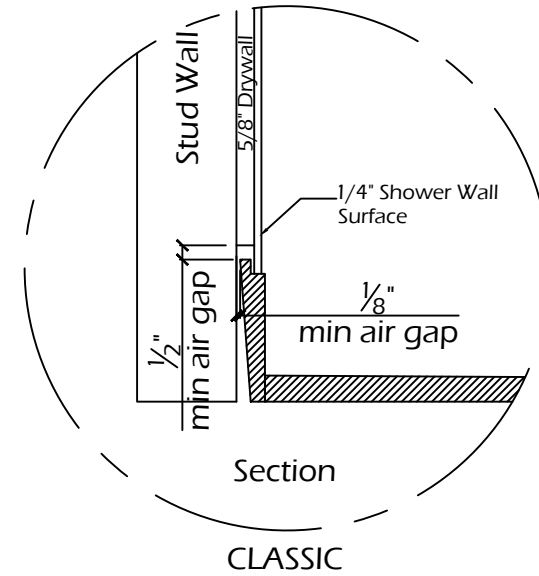
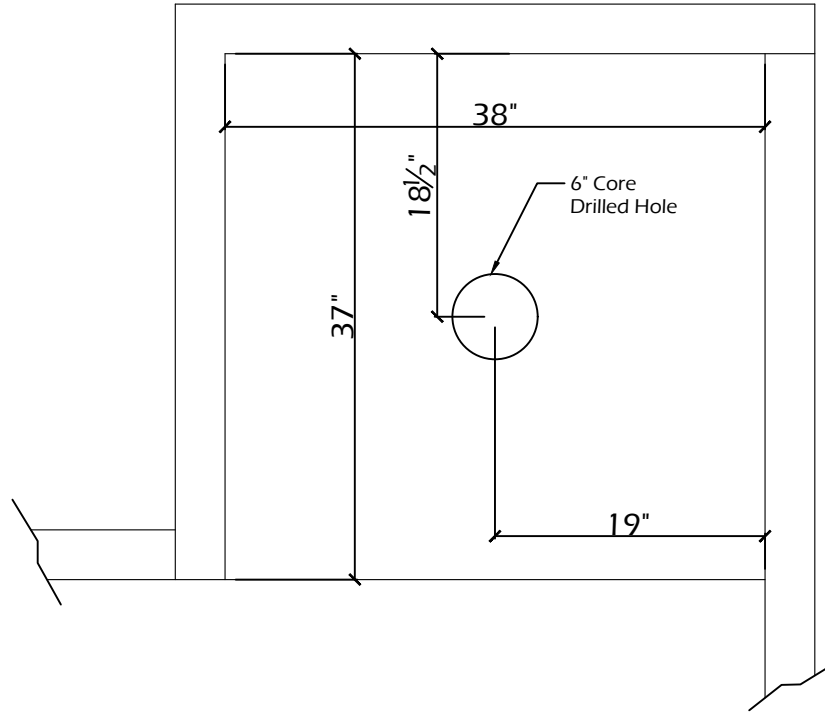
BASE:



PART TOLERANCE = +/- 1/4" (0.25) UNLESS SPECIFIED
 CRITICAL TOLERANCE = +/- 1/32" (0.3125)

Vendura Solid Surface Solutions			
CUSTOMER - PART NAME: Shower Base 3636 Low Curb Center Drain		BY: SR	IR DATE: 04-21-21
REVISION:			
(IR)			
SCALE: NTS	SALES ORDER - PART NUMBER: SB-3636LCCD-XXX-A		

ROUGH OPENING:



PART TOLERANCE = +/- 1/4" [0.25] UNCO. CRITICAL TOLERANCE = +/- 1/32" [0.3125]	Vendura Solid Surface Solutions	
	CUSTOMER - PART NAME: Shower Base 3636 Low Curb Center Drain	
	REVISION: (IR)	BY: SR IR DATE: 04-21-21
	SCALE: NTS	SALES ORDER - PART NUMBER: SB-3636LCCD-XXX-A