

A

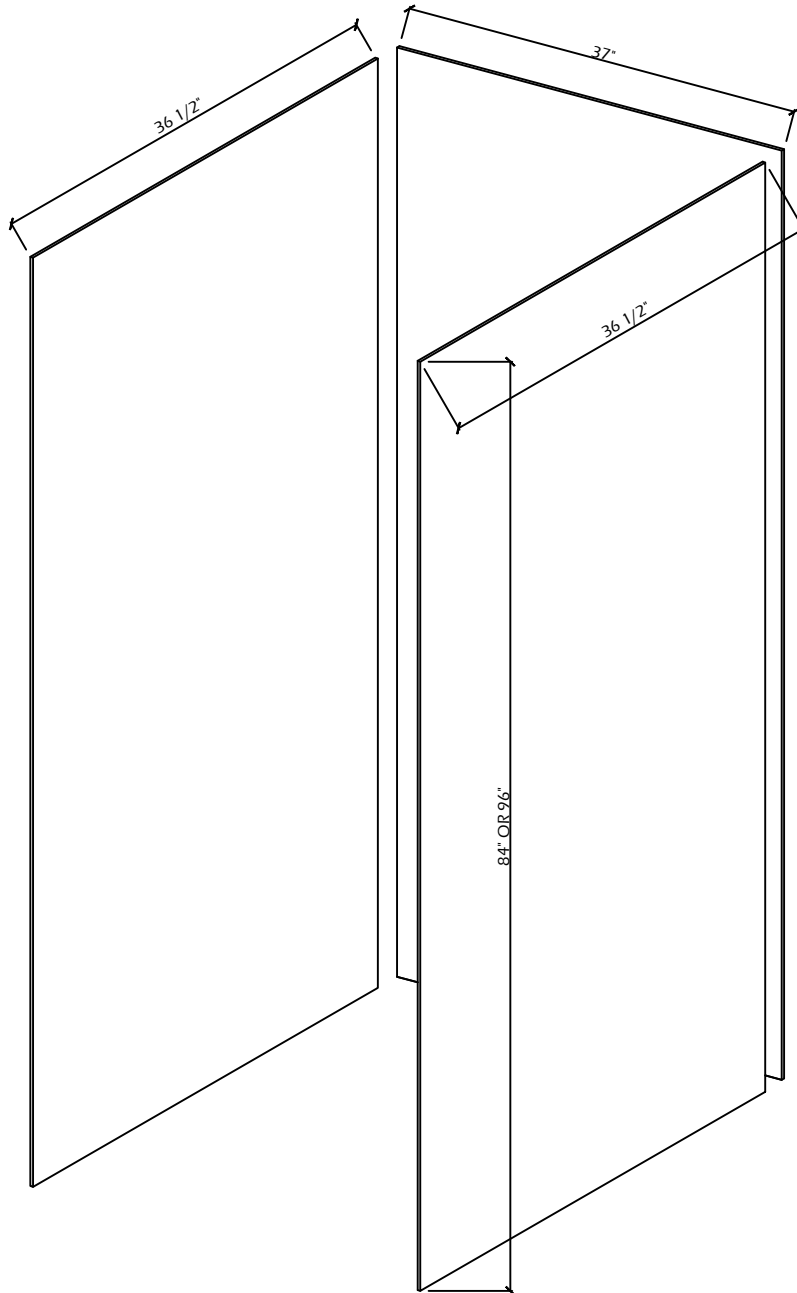
B

C


# WALL PANELS:

PROJECT NOTES:

1 - Wall Panel Oversized, will require Trim to Fit



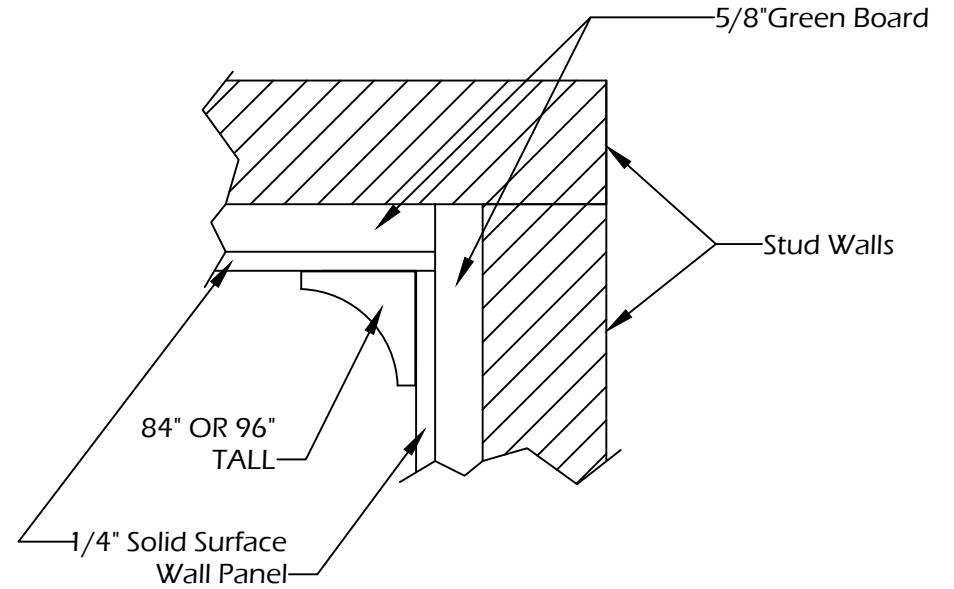
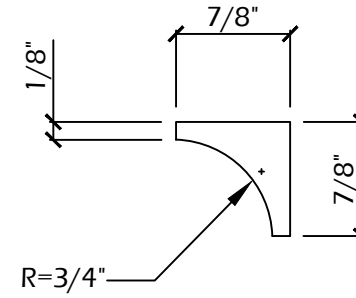
PART TOLERANCE = +/- 1/4" [0.25] UNCO.  
CRITICAL TOLERANCE = +/- 1/32" [0.3125]

|                                 |                               |   |                      |
|---------------------------------|-------------------------------|---|----------------------|
| Vendura Solid Surface Solutions |                               |  |                      |
| PART NAME:<br>36X36 Wall Kit    |                               | BY:<br>SR   | IR DATE:<br>07-26-18 |
| REVISION:                       |                               |   |                      |
| (IR)                            |                               |   |                      |
| SCALE:<br>NTS                   | PART NUMBER:<br><b>WK3636</b> |   |                      |

# CORNER TRIM:

PROJECT NOTES:

1 - Use Acrylic Adhesive to Install Corner Trim



PART TOLERANCE = +/- 1/4" [0.25] UNCO.  
CRITICAL TOLERANCE = +/- 1/32" [0.3125]

Vendura Solid Surface Solutions 

|                              |  |                        |                      |
|------------------------------|--|------------------------|----------------------|
| PART NAME:<br>36X36 Wall Kit |  | BY:<br>SR              | IR DATE:<br>07-26-18 |
| REVISION:<br><br>(IR)        |  |                        |                      |
| SCALE:<br>NTS                |  | PART NUMBER:<br>WK3636 |                      |