

BL-1813MGVS

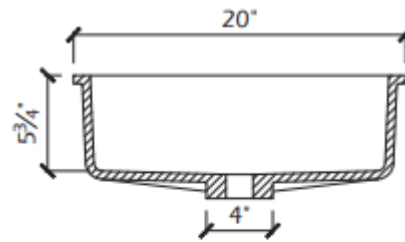
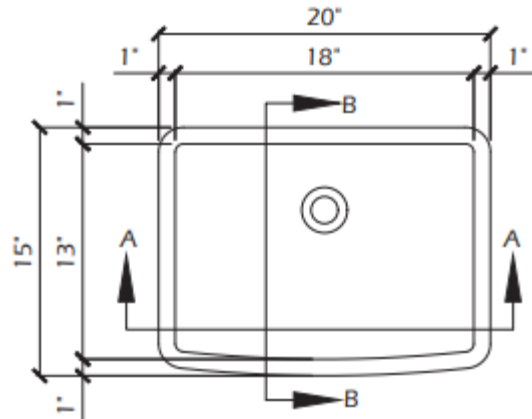
BOWL

VANITY BOWL

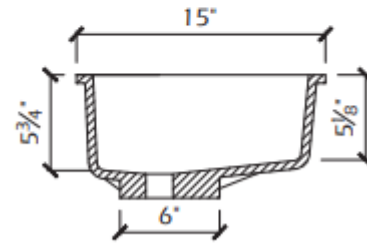
MAGNUS



Solid Surface Solutions



SECTION A-A



SECTION B-B

DESCRIPTION:

Inside Dimensions:

	Length	Width	Depth
inches	18	15	5 3/4

Integral Bowl

Drain: 1 3/4" standard drain outlet

Not ADA compliant

Meets or exceeds ANSI/ICPA SS-1-2001 Performance standards for Solid Surface materials

Available in Vendura Solid, Natural and Granulated colors