

A

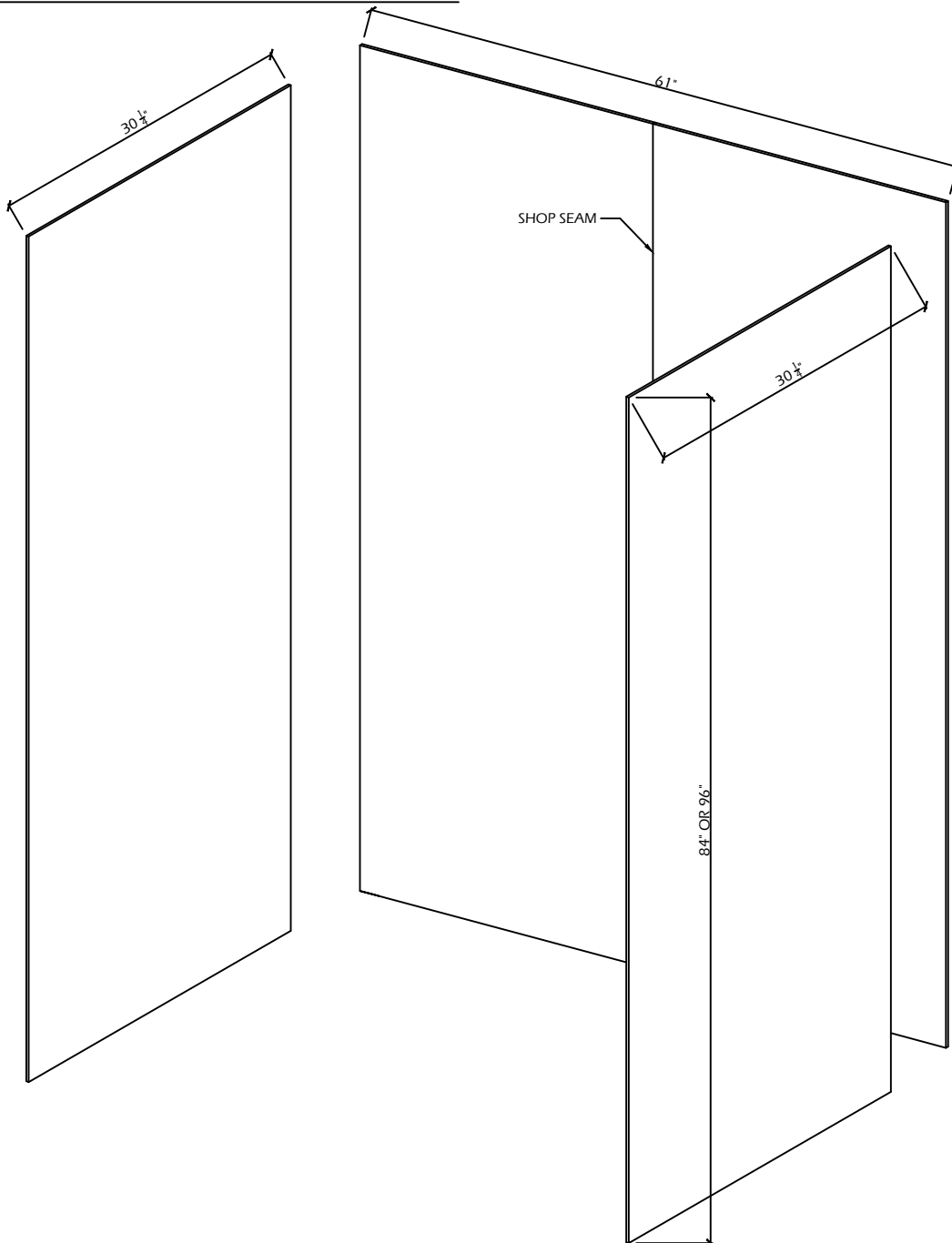
B

C

WALL PANELS:

PROJECT NOTES:

1 - Wall Panel Oversized, will require Trim to Fit



PART TOLERANCE = +/- 1/4" [0.25] UNCO.
CRITICAL TOLERANCE = +/- 1/32" [0.3125]

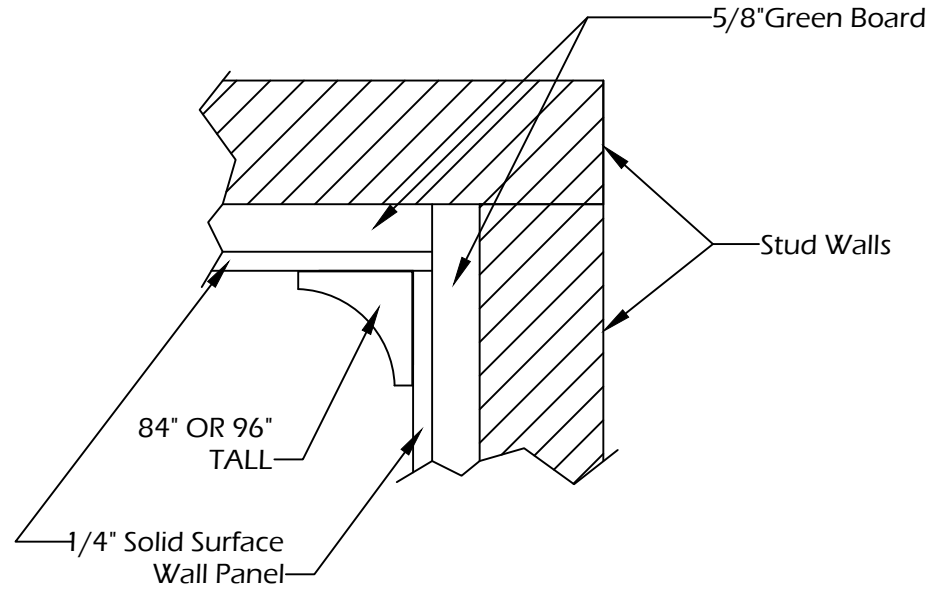
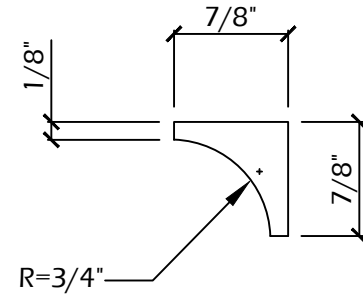
Vendura Solid Surface Solutions 

PART NAME: 30X60 Wall Kit		BY: SR	IR DATE: 09-20-21
REVISION:			
(IR)			
SCALE: NTS	PART NUMBER: WK3060		

CORNER TRIM:

PROJECT NOTES:

1 - Use Acrylic Adhesive to Install Corner Trim



PART TOLERANCE = +/- 1/4" [0.25] UNCO.
CRITICAL TOLERANCE = +/- 1/32" [0.3125]

Vendura Solid Surface Solutions 

PART NAME: 30X60 Wall Kit	BY: SR	IR DATE: 09-20-21
REVISION: (IR)		
SCALE: NTS	PART NUMBER: WK3060	